

快速指南

CONQUEST 征服 S12

按键说明



- | | |
|-----------------------|---------------|
| 1. Fn键 (SoS键/ PoC对讲键) | 10. 闪光灯 |
| 2. PTT对讲专用按键 | 11. 后摄像头 |
| 3. 对讲天线接口 | 12. 夜视摄像头 |
| 4. 前置摄像头 | 13. 夜视灯 |
| 5. Type-C接口 | 14. 指纹识别 |
| 6. 音量+键 | 15. SIM卡盖螺丝 |
| 7. 音量-键 | 16. NFC触点 |
| 8. 开关机键 | 17. 座充/磁吸充电触点 |
| 9. 短按拍照
长按开关手电筒 | |

双卡双待单通说明

您的手机采用“双卡双待单通”设计，插入手机中的两张卡无法同时使用语音业务或数据业务。

当其中一张卡正在通话时，另一张卡无法拨打电话。若此时正好有人拨打另一张卡，可能会听到“您拨打的电话不在服务区”、“您拨打的用户暂时无法接通，请稍后再拨”等语音提示。

当其中一张卡正在使用数据业务时，另一张卡的数据业务无法使用。

上述情况为手机的单通特性，可显著降低功耗，提升待机时间，与运营商网络状况无关。建议您咨询当地运营商，开通“漏话提醒”、“来电提醒”“秘书服务”等业务，避免在上述场景下漏接电话无提醒的问题。

本产品不配备电源适配器上市销售，电源适配器由消费者自行配备。消费者自行配备的电源适配器应符合输出规格为：10V3A。消费者自行配备的电源适配器如不能符合要求可能存在起火、漏电、爆炸的安全风险。

安全说明

使用手机之前，请您先阅读手机说明书中的内容，了解所有安全指示信息，以确保您能安全和正确使用手机。

1. 日常使用

- 请勿在光线传感器部位覆盖物体或进行贴膜，以免影响手机的正常使用。如果要使用屏幕保护膜，请勿包裹住光线传感器部位，建议您使用为光线传感器留有开口的专用屏幕保护膜。
- 请使用原装的或经厂商认可的配件，使用任何未经认可的配件，都有可能影响手机的使用性能，违反手机的保修条款以及国家关于通信终端产品的有关规定，甚至导致人身伤害。
- 请勿将磁条卡长期接触手机，否则可能导致磁条消磁。
- 请勿将您的手机暴露在强烈日光之下，以免因为过度受热而损坏。
- 请勿与其它不兼容的设备连接。
- 请勿拆卸手机。
- 禁止将手机放在高温下或丢入火中，以免引起爆炸。

2. 交通安全

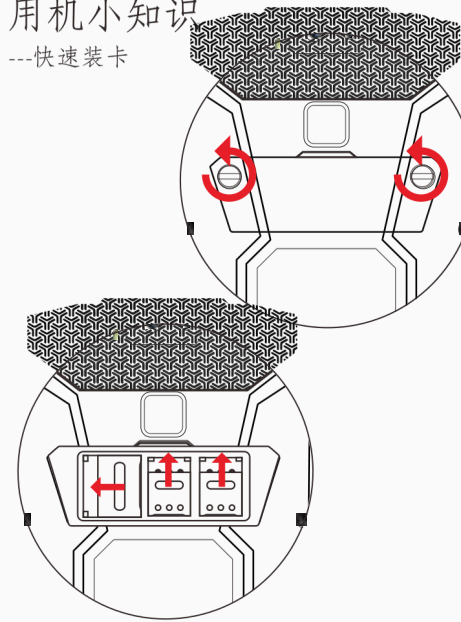
- 驾车时请遵照相关交通法规，请勿使用手机。
- 请勿将手机放在汽车安全气囊上方或者安全气囊展开后能够覆盖的区域内。
- 请遵守航空公司的相关规定，在禁止使用手机的区域及时间段内，请勿使用手机。必要时，请关闭手机。

3. 医疗设备

- 手机的无线电波可能会对部分医疗设备造成影响，例如心脏起搏器、植入耳蜗、助听器，手机与这些医疗设备应保持至少20厘米的距离。如果出现了异常情况，请与制造商咨询使用手机的限制条件。

用机小知识

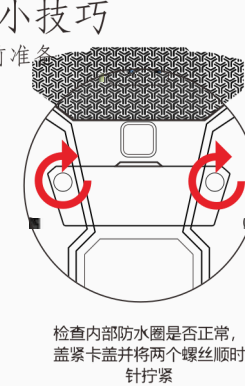
---快速装卡



- 逆时针拧开螺丝打开后盖。
- 右侧两个卡槽为SIM卡，在关机状态下，往上拨动卡槽盖，揭开卡盖，将SIM卡放入正确位置后盖上卡盖往下拨动锁紧卡盖即可完成装卡。
- 左侧卡为SD卡，最大可支持2TB存储卡

用机小技巧

---入水前准备



注意事项

- 手机在破坏性跌落可能会影响防水效果。
- 泡水后喇叭、送话声音、接听声音会受到影响，需甩出液体，待一段时间后可恢复正常。

包装清单

- | | |
|-----------|----|
| 手机 | 1件 |
| 充电器 | 1件 |
| 数据线 | 1件 |
| 说明书 | 1件 |
| 保修卡 | 1件 |
| 磁吸座充(选配) | 1件 |
| 磁吸充电线(选配) | 1件 |
| 对讲天线(选配) | 1件 |
| 腰夹(选配) | 1件 |
| 挂绳(选配) | 1件 |
| SIM卡盖螺丝刀 | 1件 |

简易故障排除

问题	解决办法
泡水后喇叭/听筒/话筒使用异常	把手机甩一甩，将喇叭/听筒上的水甩出来，待里面水完全干透即可恢复正常；或者用吹风机往喇叭和听筒处吹风，可快速使里面水干透，即可恢复正常音量。
手机死机 / 无响应 / 无法充电 / 快速重启	在遇到手机使用异常无响应时，可长按开关机键进行强制断电重启。
磁吸/座充无法正常充电	检查磁吸和座充触点位置是否有氧化现象，如有脏污和氧化，可用棉签沾酒精擦拭磁吸和座充触点位置，将其擦拭干净即可。
耗电异常	如发现电量耗电异常，请检查是否长时间打开GPS定位、蓝牙、软件对讲、硬件对讲等高耗电软件，可按虚拟按键 进入后台关闭不常用软件。
不识卡	在关机状态下插入手机卡，开机即能正常使用。如在开机状态下插卡，请打开飞行模式后再关闭，或者重启手机即可。如果不能正常识别，请尝试用棉签沾酒精擦拭卡的芯片位置。
移动网络无法正常上网	请打开设置-流量使用情况-将移动数据网络打开，或者下滑屏幕进入快捷开关菜单，点击信号图标后把右上角移动数据网络开关打开，即可正常上网。
手机设置或者功能使用异常	请打开设置-备份和重置-恢复出厂设置。待完全开机后测试是否恢复正常，如再无法正常使用请联系售后专员进行处理。（恢复出厂会导致手机所有数据清除，请安全备份后再使用此功能）

CONQUEST 征服



Description



- | | |
|--|----------------------------|
| 1. Fn Button(SOS/POC) | 10. Flashlight |
| 2. Dedicated PTT Button | 11. Rear Camera |
| 3. Walkie-talkie Antenna | 12. Night Vision Camera |
| 4. Front Camera | 13. Night Vision Light |
| 5. Type-C Port | 14. Unlock |
| 6. Vol+ | 15. SIM Card Slot Cover |
| 7. Vol- | 16. NFC |
| 8. Power on/off | 17. Magnetic Charging Pins |
| 9. Short Press to Take Photo / Long Press to Switch on Torch | |

Dual SIM Dual Standby

Dual + Standby, this means the phone supports dual SIM but in Standby mode. In simple words, when none of the SIM are used, then both the SIM's are active, but when you are using a particular SIM, the other SIM becomes inactive.

- Dual SIM cards can't use voice services and data services at the same time.
- In dual standby if a person is using SIM 1 and another person is calling on SIM 2, they will hear the message "Not reachable, try again later".
- When one of the SIM cards uses data services, the data services of the other SIM card can't be accessed.

ACCESSORIES IN PACKAGE

Smartphone	1
Adapter	1
PD Charging Cable	1
Manual	1
Dock Station(Optional)	1
Magnetic Charging Cable(Optional)	1
Walkie-talkie Antenna(Optional)	1
Waist Clip(Optional)	1
Handstrap(Optional)	1

Safety instructions

READ THIS INFORMATION BEFORE USING YOUR MOBILE DEVICE.

1. General Safety

- Please use the screen protector that does not block the light sensor to avoid affecting its normal use.
- Please use the official original accessories to avoid damage to the phone.
- Do not keep the magnetic stripe card with the mobile phone together for a long time, otherwise the magnetic stripe will out of action.
- Do not expose your phone to strong sunlight to avoid damage due to overheat.
- Do not connect with other Unauthorized equipment.
- Do not disassemble the phone.
- It is forbidden to put the mobile phone under high temperature or throw it into fire to avoid explosion.

2. Traffic Safety

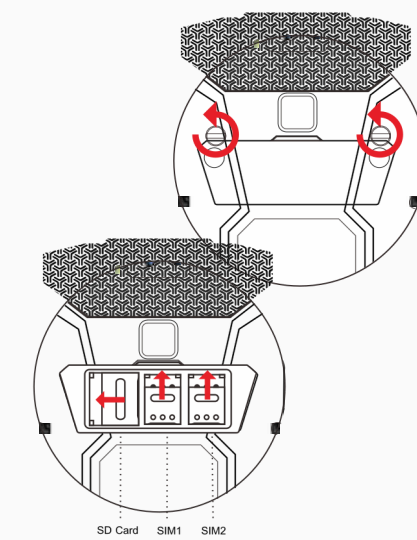
- Please do not use the phones and follow the relevant traffic laws when driving.
- Do not place the mobile phone above the car's airbag or inside the area covered by the airbag released.
- Please comply with the relevant regulations of the airline. Do not use your phone in the area or during the time when it is forbidden. Please turn off your phone if necessary.

3. Medical safety

- The radio waves of mobile phones may affect some medical devices, such as pacemakers, cochlear implants, hearing aids, etc. The mobile phone and these medical devices should be kept at least 20 cm away. Feel free to consult the restrictions on the use of mobile phones with manufacturer when exception occurs.

USE TIPS 1

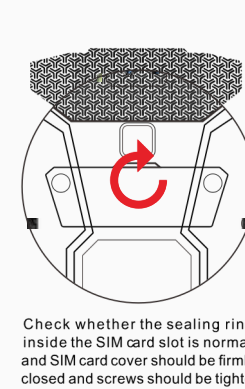
---Install SIM card and SD card



- Unscrew the screw counterclockwise, then open the back cover.
- The 1st card slot is for installing an SD card, which supports up to 2TB expansion.
- The 2nd and 3rd card slots are SIM card slots, slide up to open the SIM card cover, place the SIM card securely in the SIM card tray, and then slide down to lock the SIM card cover.

USE TIPS 2

---Before under the water



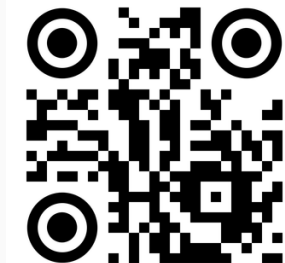
WARNING

- The phone's waterproof performance will be affected after a destructive fall.
- Take the device out of the water, the speaker and receiver need to be completely dry before using, otherwise, it will affect the experience.

THE BASICS OF TROUBLESHOOTING

Problem	Solution
Abnormal microphone/ Speaker/Receiver behavior post drop in water	Shake the phone dry to make sure the water is out of membrane. Use the hair dryer to quickly dry the excess water to restore the volume to normal.
App Crashes/Freezes/Unable to recharge/Restart frequently	Quick restart often solves minor issues with phone. On the right side of the phone you will find a power button. Restart the phone using that button.
Magnetic charger/Dock charger not working	Check the charger and the contact position for any signs of dirt or oxidation. A quick wipe with cotton swab and alcohol should solve the issue.
Abnormal power consumption	First, you should try to dim the screen brightness and turn off the GPS, WiFi and Bluetooth if you are not using them. Additionally, you should check your Battery Usage in your phone Settings and see which apps are using more battery. You can close or disable the ones that are draining more battery if you usually do not need them.
Unable to register the SIM card	If after proper installation of SIM card the phone doesn't recognize the network try switching the flight mode on-and-off or try restarting the phone. If the issue still persists clean the chip with alcohol and cotton swab.
MicroSD card does not work	Your microSD probably has errors and your phone is not recognizing that card. Try to connect a card reader to your PC and format the microSD card at least two times. Restart your mobile phone and insert the SD card again.
Mobile network not registering internet access	Go to settings-Network&internet-Mobile network-Mobile data-switch it on. Or slide the screen to shortcut menu-click the signal icon on upper right corner of the mobile data network-switch it on.
Restore to factory setting	Please note factory reset will erase all the data from the phone, so make sure you take the backup of data before you do a factory reset. Open settings-System-Advanced-Reset options-Erase all data (factory reset).

CONQUEST



enquiries@comm360.biz